

12.4.2017

## **Center for Railway Research**

### **Addendum**

**Name of Work:** Supply of hydraulic power pack with listed accessories

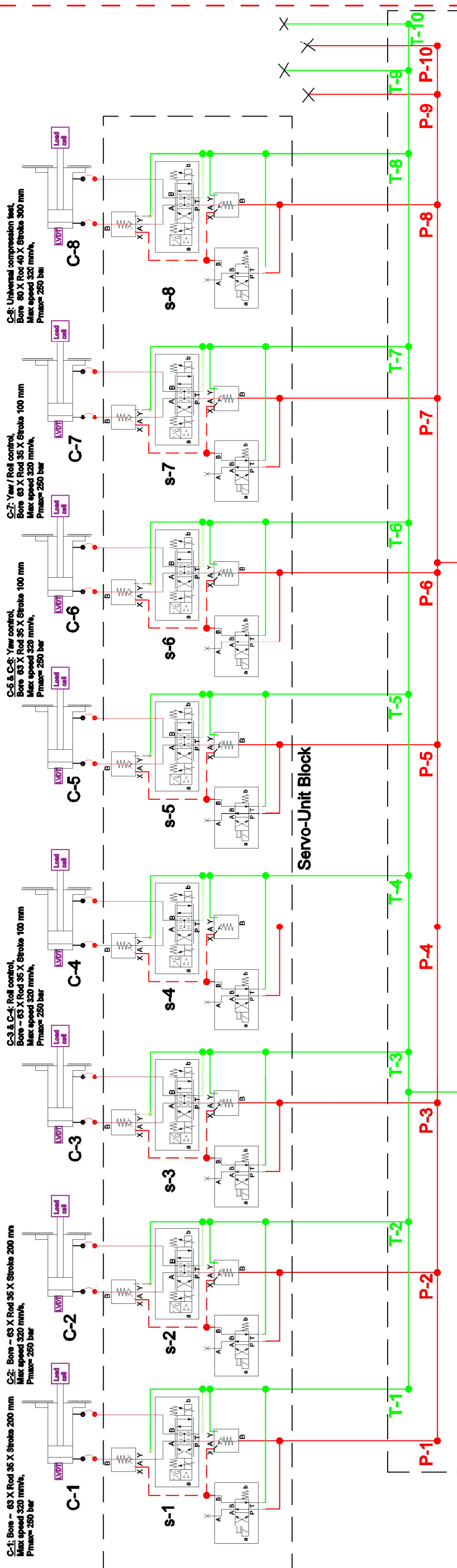
**Tender Reference Number:** IIT/SRIC/ CRR / BRE/ VR/2017-18/EQ-3, **Dated:** 29.11.2017

High resolution, tentative schematic for the set up required is provided in the next page.

Dr. Vikranth Racherla  
Associate Professor  
Mechanical Engineering  
IIT Kharagpur

**Tentative Schematic for Tender Ref No IIT/SRIC/CRR/BRE/VR/2017-18/EQ-3 dated 29.11.2017**

Rev/No	Revision note	Date	Signature	Checked



**C-1:** Bore ~ 63 X Rod 35 X Stroke 200 mm  
Max speed 320 mm/s,  
Pmax= 250 bar

**C-2:** Bore ~ 63 X Rod 35 X Stroke 200 mm  
Max speed 320 mm/s,  
Pmax= 250 bar

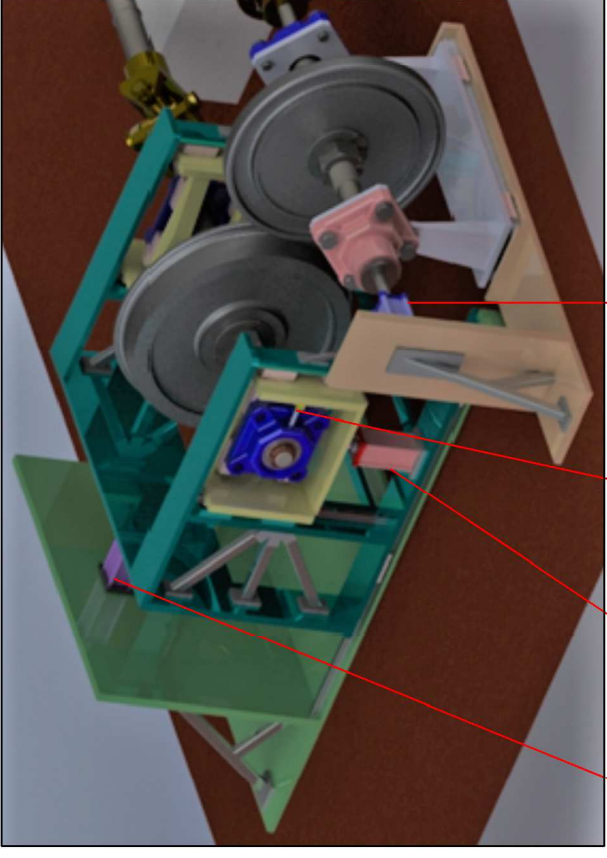
**C-3 & C-4:** Roll control,  
Bore ~ 63 X Rod 35 X Stroke 100 mm  
Max speed 320 mm/s,  
Pmax= 250 bar

**C-5 & C-6:** Yaw control,  
Bore 63 X Rod 35 X Stroke 100 mm  
Max speed 320 mm/s,  
Pmax= 250 bar

**C-7:** Yaw / Roll control,  
Bore 63 X Rod 35 X Stroke 100 mm  
Max speed 320 mm/s,  
Pmax= 250 bar

**C-8:** Universal compression test,  
Bore 80 X Rod 40 X Stroke 300 mm  
Max speed 320 mm/s,  
Pmax= 250 bar

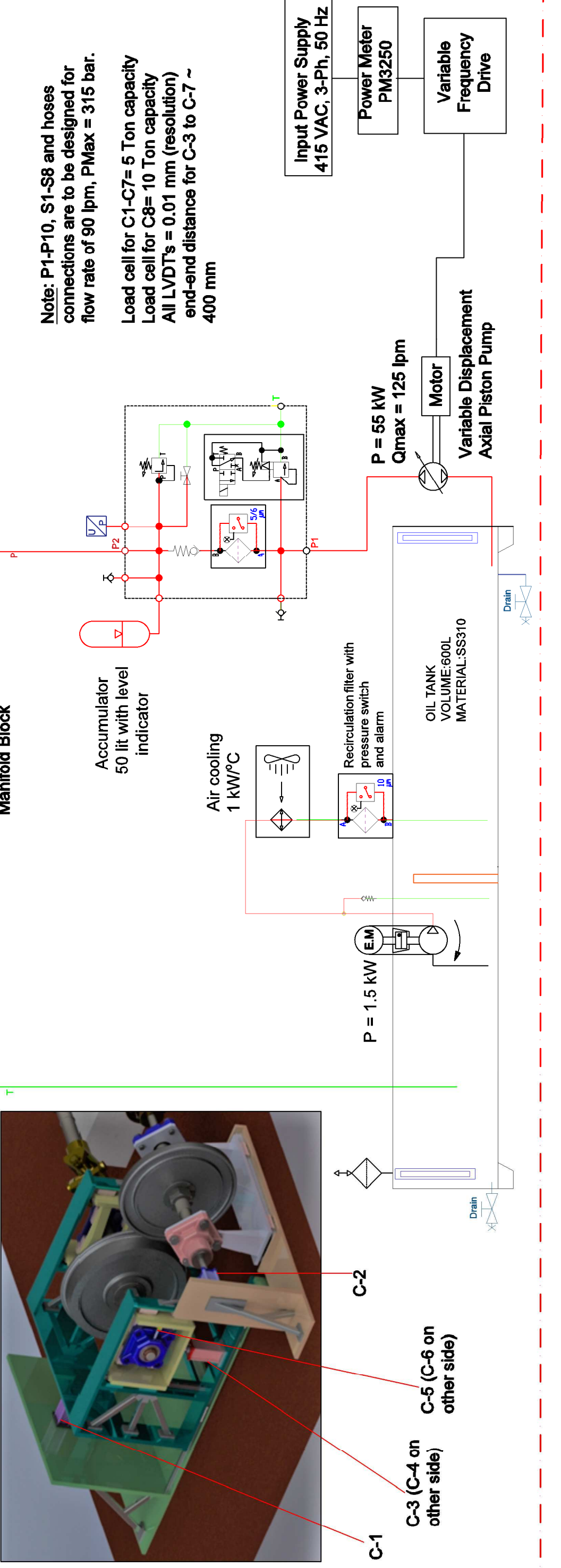
**Manifold Block**



C-1  
C-3 (C-4 on other side)  
C-5 (C-6 on other side)

**Note:** P1-P10, S1-S8 and hoses connections are to be designed for flow rate of 90 lpm, PMax = 315 bar.

Load cell for C1-C7= 5 Ton capacity  
Load cell for C8= 10 Ton capacity  
All LVDT's = 0.01 mm (resolution)  
end-end distance for C-3 to C-7 ~ 400 mm



Input Power Supply  
415 VAC, 3-Ph, 50 Hz

Power Meter  
PM3250

Variable Frequency Drive

P = 55 kW  
Qmax = 125 lpm

Motor  
Variable Displacement Axial Piston Pump

OIL TANK  
VOLUME: 600L  
MATERIAL: SS310

Air cooling  
1 kW/C

P = 1.5 kW EIM

Accumulator  
50 lit with level indicator

Recirculation filter with pressure switch and alarm

Drain